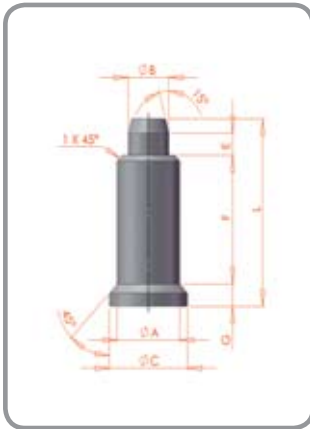


# Ceramic Coated Steel Location Pins

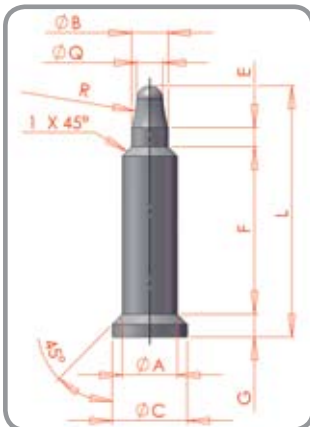
## Long Series



welding & joining technologies



CASTELLATED TYPE



DOLPHIN TYPE

Part No Dolphin	Part No Cast'd	Nut Size	Hole Dia	Dia A	Dia B	Dia C	Dim E	Dim F	Dim G	Dim L	Dia Q	Rad R
	CPM3C	M3	4	3.85	2.4	8	1.7	23		30.2		
CP1		M4	5	4.85	3.2	10	2	22	4	31	2.5	9
CP2		M4	6	5.85	3.2	10	2	22	4	31	2.5	9
CP30		M4	6.65	6.5	3.2	10	2	22	4	31	2.5	9
	CP11C	M4	7	6.85	3.2	10	1.7	23	4	30.2		
CP43		M5	5.5	5.35	4.1	10	2.5	22	4	32	3	13.3
CP3		M5	6	5.85	4.1	10	2.5	22	4	32	3	13.3
CP3-6		M5	6.1	5.95	4.1	10	2.5	22	4	32	3	13.3
CP4		M5	7	6.85	4.1	10	2.5	22	4	32	3	13.3
	CP70C	M5	7.5	7.35	4.1	10	2	23	4	30.5		
	CP41C	M6	9.65	9.5	4.9	10	2.5	23	4	31.5		
CP21		M6	6.5	6.35	4.9	10	2.5	22	3	32	3.5	15.5
CP5		M6	7	6.85	4.9	10	2.5	22	3	32	3.5	15.5
	CP34C	M6	7.1	7.05	4.9	10	2.5	23	3	32		
CP5-7		M6	7.1	6.95	4.9	10	2.5	22	3	35	3.5	15.5
	CP5-7C	M6	7.1	6.95	4.9	10	2.5	22	3	31.5		
CP19		M6	7.5	7.35	4.9	10	2.5	22	3	33	3.5	15.5
CP6		M6	8	7.85	4.9	10	2.5	22	3	33	3.5	15.5
	CP72C	M6	8.25	8.15	4.9	12	2.5	23	4	31.5		
	CP67C	M6COLL	8.7	8.55	4.9	12	4	23	4	31.5		
	CP71C	M6	9	8.85	4.9	12	2.5	23	4	31.5		
	CP17C	M6 COLL	10	9.8	4.9	16	2.5	23	4	31.5		
CP23		M6 TLESS	7	6.84	5.25	12	2.5	22	3	32	3.5	15.5
	CP14C	M6 TLESS	7.5	7.35	5.25	12	2.5	23	4	31.5		
CP31		M8	8.5	8.35	6.6	12	3.5	23	3	34	5	17.5
	CP49C	M8	8.75	8.6	6.6	12	3.5	23	4	32.5		
CP7		M8	9	8.85	6.6	12	3	23	3	34	5	17.5
	CP7C	M8	9	8.85	6.6	12	3	23	4	32.5		
CP7-9		M8	9.1	8.95	6.6	12	3	24	3	39	4	32.5
CP16		M8	9.5	9.35	6.6	12	3	23	3	34	5	17.5
CP8		M8	10	9.85	6.6	12	3	23	3	34	5	17.5
CP8-10		M8	10.1	9.95	6.6	12	3	23	3	34	5	17.5
CP22		M8	10.5	10.35	6.6	12	3	23	3	34	5	17.5
	CP66C	M8	11	10.85	6.6	16	3.5	23	4	32.5		
	CP73C	M8	11.2	11.05	6.6	16	3.5	23	4	32.5		
	CP50C	M8 TLESS	8.75	8.6	7.25	12	3.5	23	4	32.5		
CP24		M8 TLESS	9	8.84	7.25	12	3	23	3	34	5	17.5
	CP13C	M8 TLESS	9.5	9.35	7.25	12	3.5	23	4	32.5		
	CP25C	M8 TLESS	10	9.84	7.25	15	3.5	23	4	32.5		
	CP63C	M8 TLESS	11.25	11.1	7.25	15	3.5	23	4	32.5		
	CP75C	M8 TLESS	13	12.85	7.25	15	3.5	23	4	32.5		
CP42-11.2		M8 COLL	11.3	11.2	6.6	15	3.5	24	3	32.5	7	30.5
CP42		M8 COLL	12.2	12.05	6.6	15	3.5	24	3	37	7	30.5
CP9		M10	11	10.85	8.33	15	4	24	3	37	7	30.5
	CP9C	M10	11	10.85	8.33	15	4	24	3	33.5		
CP20		M10	11.5	11.35	8.33	15	4	24	3	37	7	30.5
	CP44C	M10	11.7	11.55	8.33	15	4	23	4	33.5		
CP10		M10	12	11.84	8.33	15	4	24	3	37	7	30.5
CP48		M10	12.2	12.1	8.5	16	4	24	3	37	7	30.5
	CP55C	M10	12.4	12.25	8.33	16	4	23	4	33.5		
	CP52C	M10	13	12.85	8.33	16	4	23	4	33.5		
	CP26C	M10 TLESS	11	10.74	8.95	16	4	23	4	33.5		
	CP27C	M10 TLESS	11.5	11.35	8.95	16	4	23	4	33.5		
	CP56C	M10 TLESS	12	11.85	8.95	16	4	23	4	33.5		
	CP62C	M10 TLESS	13.15	13.05	9.15	16	4	23	4	33.5		
	CP53C	M10COL	14.5	14.35	8.33	16	4	23	4	33.5		
	CP61C	M12	13	12.85	10.05	16	5	23	5	34.5		
CP47		M12F	13	12.85	10.4	16	4	23	5	39	9	41
	CP69C	M12	14	13.85	10.05	16	5	23	5	34.5		
	CP51C	M12	15.5	15.35	10.05	18	7	23	4	30		
	CP28C	1/4UNF	8	7.85	5.35	12	3.5	23	4	32.5		
	CP29C	5/16UNF	8.7	8.55	6.75	16	3.5	23	4	32.5		
	CP59C	5/16UNF	8.95	8.8	6.75	16	3.5	23	4	32.5		
	CP64C	5/16UNFCOL	12.5	12.35	6.75	16	3.5	23	4	32.5		
CP12-173		M12F	13.2	13.05	10.5	16.5	6	24	3	37	9	41
CP12-175		M12F	13.4	13.2	10.5	16.5	5	24	3	34.5	9	41
CP15		7/16UNF	12	11.85	9.7	16	5	23	3	37	7	30.5
	CP76C	7/16UNF	12.6	12.4	9.7	16	5	23	4	34.5		
	CP77C	7/16UNF	13	12.85	9.7	16	5	23	4	34.5		
	CP54C	7/16COL	16.2	16	9.7	18	5	23	4	34.5		
	CP74C	M14	14.6	14.35	12.4	16.5	5	23	4	34.5		
	CP65C	3/8UNCCOL	14.5	14.35	7.9	16	5	23	4	33		